



## MOEM BATH COMMODE CHAIR 150KG



MOEM is a shower and toilet chair to facilitate hygiene for people with movement disabilities.

It can be used in the shower, sink and on the toilet, as well as to transport patients with a maximum weight of 150 kg.

**The Bath Chair is considered a class 1 sanitary product according to Directive 93/42 / CEE, modified by Directive 2007/47 / CE and transposed to the Spanish regulation by means of RD 1591/2009.**

Therefore it is intended to be used in humans for the treatment or alleviation of disease, as well as for the treatment, alleviation or compensation of an injury or deficiency.

Complies with the Standard: \* *UNE-EN 12183 "Manual propulsion wheelchairs. Requirements and test methods."*

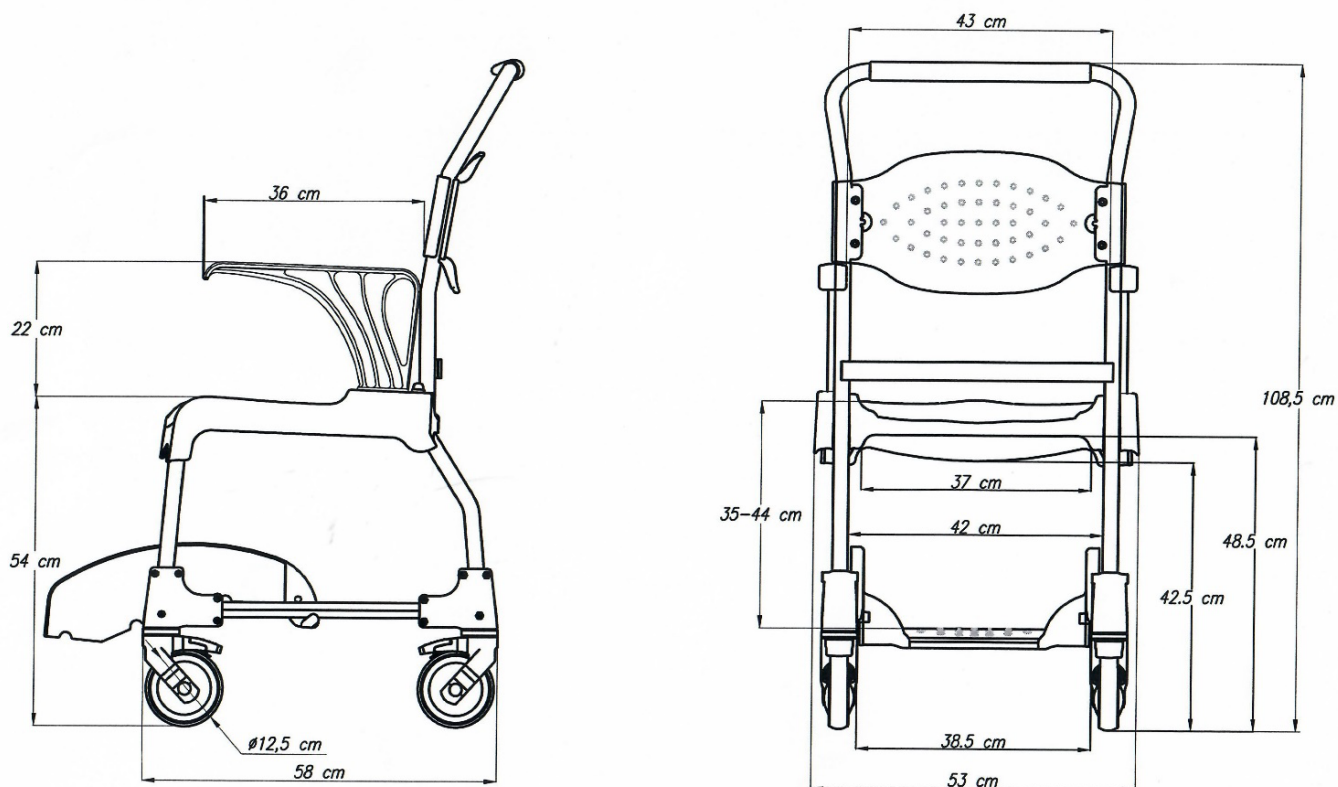
*\*For reasons of improvement of our products, Tecnimoe Care reserves the right to change technical specifications and / or images of our products without prior notice.*

## MOEM BATH COMMUNE CHAIR

### TECNICAL ESPECIFICATIONS

MÁX LOAD	150KG
WEIGHT	15KG.
WHEELS	Ø125 con freno
OUTER FRAME, epoxi-polyester Paint (Standard UNE 10305-5)	Steel tubeo Ø25x1,5mm. Steel platen 30x5mm.
ARMREST	Extracted
FOOTREST	Extracted and adjustable to 5 positions
SEAT COVER	Extracted and folding
Stainless steel hardware	
Backrest, armrests, seat, footrest, seat cover, urinal, in polypropylene	
Handle and wheel supports in polypropylene and fiberglass	

### DIMENSIONS



## MOEM BATH COMMUNE CHAIR

### ACCESSORIES

#### SEAT MOEM

Two-component polyurethane seat (polyol and isocyanate), without CFCs or HCFCs.  
Coated with blue paint.  
It adjusts to the fixed seat of the chair.  
Available in two designs



OPEN SEAT  
weight 900 gr.  
aprox. 50x52x12 cm.



CLOSED SEAT  
weight 940 gr.  
aprox. 50x52x12 cm.

#### BELT SEAT MOEM

Abdominal belt to hold the user to the chair



100% polyester mesh fabric.  
3cm acrylic trim (blue). Polyester fastening tapes.  
Fits the frame of the chair.  
45 x 11.5 cm ribbon band approx.  
contour 110 cm approx.  
Weight 100 gr.

---

Medguard Professional Healthcare

Tel: 01 835 2378

Email: [orders@medguard.ie](mailto:orders@medguard.ie)

Fax: 01 969 5009

Web: [www.medguard.ie](http://www.medguard.ie)

Unit 6/7, Block 4, Ashbourne Business Park, Ashbourne, Co. Meath, Ireland