

M2

MULTI-TIP SHOWER/COMMODE CHAIRS



HMN

CE

MEDGUARD[®]
Professional Healthcare Supplies

M2 MULTI-TIP

M2 Multi-Tip is equipped with a closed, waterproof electrical system with no visible wires. The power plug can be found under the cover at the front of the chair and plugged directly in for the power outlet—without the use of an external charger.

It is possible to check the remaining power at the battery symbols at the top of the hand control.

The chair can be adjusted independently in seat height tip function. This gives the best opportunity to place the user in the correct position. The adjustable netweave backrest ensures optimal support and the wide range of accessories provide a pleasant experience.

With their low entering height, the users who have the strength can sit down themselves and are not forced to use a lift.

M2 Multi-Tip standard: 50 cm



IDEAL SHOWER/COMMODE WHEN THE WORKING ENVIROMENT IMPROVED

M2 Multi-Tip is the right choice if you want to improve the helpers working enviroment.

The Multi-Tip chairs is equipped with 125 mm or 150 mm wheels with closed shaft that make them resistant to hair and dirt.

Multi-Tip chairs are as standard equipped with directional fixed wheel which will ease the manoeuvring and secure the working enviroment for the helper.



As standard equipment, you will receive a comfortable hipstrap for safety and it gives the user a good sense of security.

M2 MULTI-TIP SHOWER/COMMUNE CHAIR

HORSESHOE SEAT

Art.no. 310801



Multi-Tip is a unique shower/commode chair made to fulfill the demands of the future. The electric adjustment of the height is independent from the tip function. It can handle users up to 150 kg. The horizontal seat height can be adjusted from 53 to 95 cm, and the seat angle can be tipped from -5° forwards to 35° backwards, using the hand control.

With a low entering height at just 50 cm, the users who have the strength can sit down themselves and are not forced to use a lift. The electric height and tip function is stepless and independently adjustable. The adjustable netweave backrest ensures optimal support and the wide range of accessories provide a pleasant experience.

M2 MULTI-TIP

Material	Stainless steel
Wheels	125 mm
Seat width	46 cm
Seat depth	44 cm
Max. User weight	150 kg
Weight of chair	36 kg
Seat height	53–95 cm

M2 MULTI-TIP ACCESSORIES HEADRESTS



Height, depth & width adjustable **HEADREST**

Standard & Big - Art.no.: 310871

Super Soft height & depth adjustable **HEADREST**

Art.no.: 310870 - Standard & Big



Height & depth adjustable **HEADREST**,

short bar, PU foam

Only for Mini - Art.no. 310244

Height & depth adjustable **HEADREST**,

PU foam

Art.no. 310222 - Only for Mini



Height adjustable **HEADREST**, PU foam

Only for Mini - Art.no. 310221

Super Soft height & depth adjustable **HEADREST**,

PU foam

Art.no. 310235 - Only for Mini



Super Soft height & depth adjustable **HEADREST**,

short bar, PU foam)

Only for Mini - Art.no. 310243

Super Soft height adjustable **HEADREST**,

PU foam

Art.no. 310236 - Only for Mini



M2 MULTI-TIP ACCESSORIES ARMRESTS, SIDE SUPPORTS & HIP STRAPS



ARMRESTS with reduced width

(Don't fits on Mini og Big)
(One armrest reduced width with 2,5 cm)
Right, Art.no.: 310394
Left, Art.no.: 310395

ARMRESTS with increased width

(Don't fits on Mini og Big)
(One armrest gives an increase of 3 cm)
Right, Art.no.: 310391
Left, Art.no.: 310392

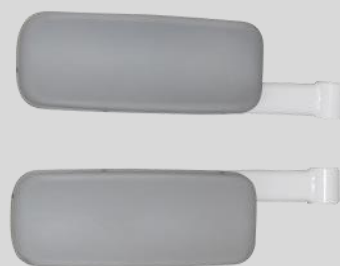


ARMRESTS with reduced height (5 cm)

(Don't fits on Mini og Big)
Right, Art.no.: 310397
Left, Art.no.: 310398

Hemi ARMRESTS

Right, Art.no.: 800274
Left, Art.no.: 800273



SIDE SUPPORTS

Right, Art.no.: 310881
Left, Art.no.: 310882

SIDE SUPPORTS to Mini

Right, Art.no.: 310513
Left, Art.no.: 310514

HIP STRAP w. velcro

Standard & Big, Art.no. 330019
Mini, Art.no. 310515

HIP STRAP w. click

Standard & Big, Art.no. 800404



M2 MULTI-TIP ACCESSORIES FOOTREST, CALFREST, LEG REST, AMPUTATION SUPPORT & URINE FUNNEL



Height & angle adjustable **FOOTRESTS**

(Max. 150 kg)

Art.no. 313041

Height adjustable **FOOTRESTS**

(It is from the tip of the seat to the footrest plate)

Standard, Art.no: 310049 (39–51 cm)

Short, Art.no: 310510 (31–41 cm) (To Mini)

Extended, Art.no: 310283 (49–61 cm)

Reinforced, Art.no: 310275 (39–51 cm) (To Big)



CALFREST

Standard & Mini, Art.no. 310226

Big, Art.no. 310233



FOOT REST PLATE

(Max. 150 kg)

Right, Art.no.. 310085

Left Art.no.. 310086



CALF REST

(Max. 150 kg)

Art.no.. 310358



LEG REST with elevation

(Max. 150 kg)

Right, Art.no.. 310053

Left Art.no.. 310054

AMPUTATION SUPPORT

Right, Art.no. 800343

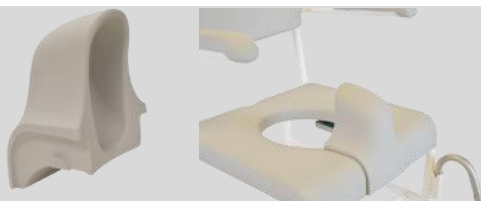
Left , Art.no. 800344



M2 SPLASH GUARD

Art.no. 148862

To Mini, Art.no. 310517



URINE FUNNEL

Art.no. 148861



M2 MULTI-TIP ACCESSORIES SEATS



TOILET SEAT to M2

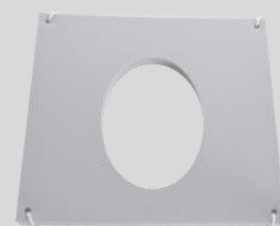
(Don't fits on Mini & Big)

Art.no. 330024

SUPERSOFT GREY FOAM SEAT

With hole, Art.no. 330018

Without hole, Art.no. 330022



SEATPLATE with small hole, black

(Don't fits on Mini & Big)

Art.no. 800178

WHITE FOAM SEAT

Art.no. 330016



PRESSURE-RELIEF seat

(Don't fits on Mini)

Art.no. 330023

LID to standard seat

(Don't fits on Mini & Big)

Art.no. 310341



LID to horseshoe seat

Art.no. 310343

Til Mini, Art.no. 800180

M2 MULTI-TIP ACCESSORIES

TORSO SUPPORT, CROSS BAR, COMMUNE PAN, SOFT BACK, SEAT & FULL FOOTPLATES



TORSO SUPPORT

(Don't fits on Big)

Std, Cushion, Art.no. 310245

Std. Cover, Art.no. 310246

TORSO SUPPORT to Mini

Std, Cushion, Art.no. 310247

Std. Cover, Art.no. 310248

CROSS BAR

Standard - Art.no. 310228

Big - Art.no. 310249



COMMUNE PAN with lid

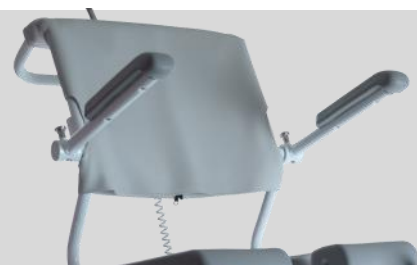
Art.no. 310048

To Mini (Without lid), Art.no. 310516

SOFT BACK

(Don't fits on Mini & Big)

Art.no. 310832



Seat with REVERSED OPENING for Multi-Tip

(Don't fits on Mini & Big)

Art.no. 310339

FULL FOOTPLATES FOR M2 FODRESTS + NEOPREN

Art.no. 310760, Standard

Art.no. 310761, Neopren Standard

Art.no. 310762, Wide

Art.no. 310763, Neopren Wide

Art.no. 310764, 300 kg El-Tip

Art.no. 310765, Neopren 300 kg El-Tip



M2 MULTI-TIP ACCESSORIES SEAT SORTIMENT



LONGER SEAT standard seat
(Don't fits on Mini & Big)
Art.no. 310373

SEAT WITH LESS WIDE HOLE, standard seat
(Don't fits on Mini & Big)
Art.no. 310374



SEAT WITH LESS WIDE HOLE, horseshoe seat
(Don't fits on Mini & Big)
Art.no. 310375

LONGER SEAT, horseshoe seat
(Don't fits on Mini & Big)
Art.no. 310376



SEAT WITH LESS WIDE HOLE, standard seat
(Don't fits on Standard & Big)
Art.no. 310370

SEAT WITH LESS WIDE HOLE, horseshoe seat
(Don't fits on Standard & Big)
Art.no. 310371



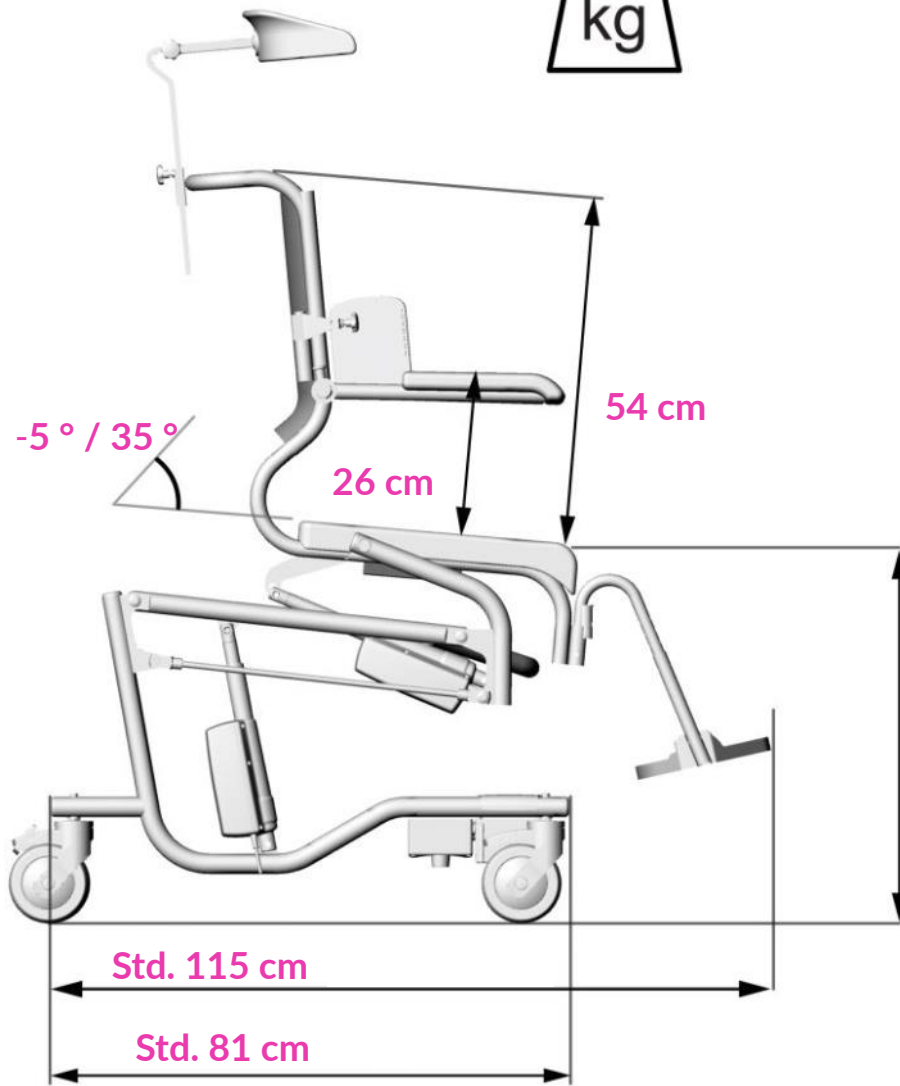
STANDARD SEAT
(Don't fits on Mini & Standard)
Art.no.: 310372

TECHNICAL DATA

M2 MULTI-TIP STANDARD & BIG



Std. Max 150 kg



Std. 46 cm



Std. 61cm

TECNICAL DATA

M2 MULTI-TIP STANDARD

WEIGHT OF PRODUCTS

WITH NETWEAVE BACK: 36 KG
WITH FIRM BACK: 36,3 KG

WHEELS

125 MM WHEELS W/GREY RUBBER AND BALL BEARING. DOUBLE ACTING BRAKE ON 3 OF THE WHEELS. THE FOURTH WHEEL IS A DIRECTION FIXED WHEEL.

BACK

NETWEAVE: 45 CM X 43,5 CM.
DEPTH ADJUSTMENT UP TO 10 CM WITH 2 BUCKLES. WASHABLE UP TO 80 DEGREES. DO NOT TUMBLE DRY.
FIRM BACK: PU FOAM

FOAM PARTS

SEAT: 4,5 CM PU SKUM
ARMREST: 2,5 CM PU SKUM

EL-MOTOR/ BATTERY SYSTEM

CONTINUOUSLY VARIABLE BLOCKABLE ENGINE. BATTERIES CAN NORMALLY OPERATE UP AND DOWN 50+ TIMES BEFORE BEING RECHARGED.
EL-TIGHTNESS = IP 66 (DUSTPROOF AND PROTECTED AGAINST WATER BEAMS)

FRAME/SURFACE

STAINLESS STEEL. POWDER COATED

DESCRIPTION:

ART.NO

M2 MULTI-TIP WITH STANDARD SEAT	310800 / 310800-B
M2 MULTI-TIP, WITH HORSESHOE SEAT	310801 / 310801-B
M2 MULTI-TIP, WITH STANDARD SEAT, FIRM BACK BOXED	310802-B
M2 MULTI-TIP, WITH HORSESHOE SEAT, FIRM BACK BOXED	310803-B
M2 MULTI-TIP BIG WITH HORSESHOE SEAT BOXED (INCL. PU FOAM ON ARMRESTS AND POSSIBILITY TO USE BUCKET)	310804-B
CAN BE DELIVERED ASSEMBLED FOR EXTRA SERVICE CHARGE. USE PRODUCTS ART.NO. + ART.NO 310363	310363

ISO-NUMBER

09 12 03

Medguard Professional Healthcare

Tel: +353 (0) 1 835 2411

Email: sales@medguard.ie

Fax: 01 969 5009

Website: www.medguard.ie

Unit 6/7, Block 4, Ashbourne Business Park, Ashbourne, Co. Meath, A84 VK52