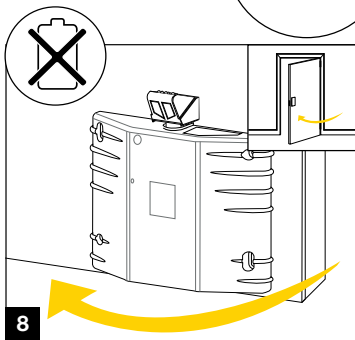
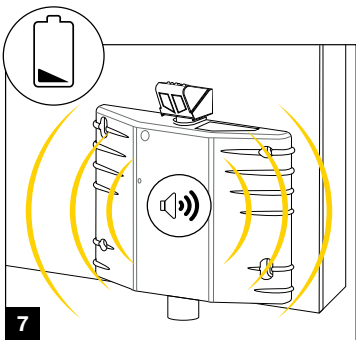
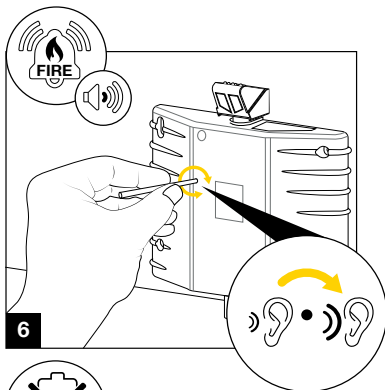
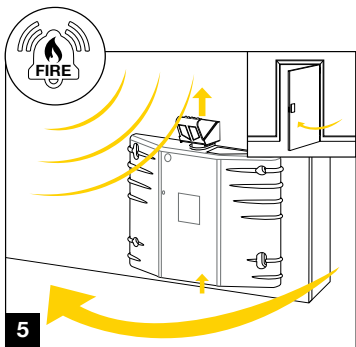


Fireco

Compliance Made Easy



 →  

<http://goo.gl/HxRSsK> 01273 320650

Medguard Professional Healthcare

Tel: +353 (0) 1835 2411

Fax: +353 (0) 1969 5009

Email: service@medguard.ie

Website: www.medguard.ie