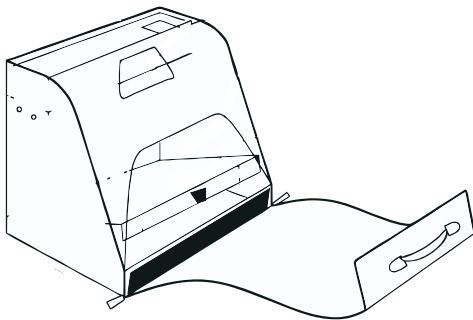
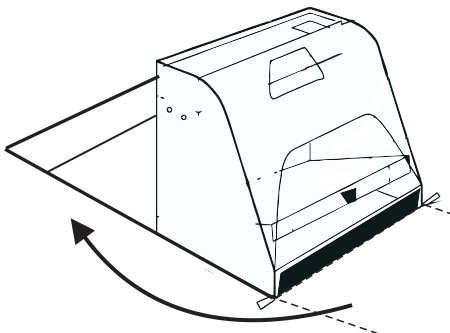


1. Place the unit on a flat, solid surface such as the edge of a desk or table.

Ensure the surface is at the correct height for the users. They should be able to use the viewing hole without stretching.



2. Unzip the front and fold under the base of the UV GlowBag.



3. Switch on the Glowbar UV lamp in the top of the UV GlowBag and it is ready to use.



The **FSD UV GlowBag Kits** are the ultimate, all-in-one training aid for teaching effective hand washing.

When used with the GlitterBug range of products, the UV GlowBag will graphically highlight areas of the hands that have not been cleaned properly by normal hand washing and thereby highlight the places bacteria are also likely to survive the hand washing process.



Hand Washing Demonstrations Using GlitterBug Potion

1. Dispense the GlitterBug Potion into the hand.



A single press on the GlitterBug bottle pump will provide sufficient Potion for one application.

2. Rub the hands together to ensure that the GlitterBug Potion is evenly spread over the surface of both hands.



3. Wash the hands as normal.

4. Switch on the UV GlowBag and place the hands in the Hand Slot.

5. When the hands are observed through the Viewing Hole any areas not washed properly will glow.

Areas that glow have not been washed sufficiently to remove the GlitterBug Potion. This therefore highlights the areas of the hands where bacteria would be most likely to survive the hand washing process.