

# MEDGUARD®

Professional Healthcare Supplies

## *Fully Automatic Blood Pressure Monitor TM-2657P*



Clinically  
Validated



*Accurate measurement with sophisticated automatic  
cuff size adjustment mechanism*

*Easy operation*

*Small footprint*

CE 0123

**A&D**  
A&D Medical  
<http://www.aandd.jp>

*Technology You Can Trust*

## Application & Point of use

The TM-2657P is the latest model in the range of freestanding fully automatic blood pressure monitors such as the acclaimed previous models, whose ground-breaking designs have been well received and have created many new applications, places of use, and new markets. The main reasons for the high reputation of the previous models are their fast and accurate measurement, compact profile, ease-of-use, and durability. The new TM-2657P has been superbly styled in Japan, having a slim and compact shape with increased printout speed, and offers a diversified selection for connectivity. The TM-2657P helps expand market potential, not only for hospitals, medical clinics and health check-ups, but also for corporate wellness in the workplace, pharmacy services, and fitness centers.



### Accurate measurement at hospitals, other medical clinics...

In some hospitals, patients can take their own blood pressure measurement using a fully automatic monitor before seeing the doctor. This "self triage" saves the patients' time and lightens the workload for the medical staff. And with modern validated BP monitors, the readings are as accurate as if the medical staff took the measurement.

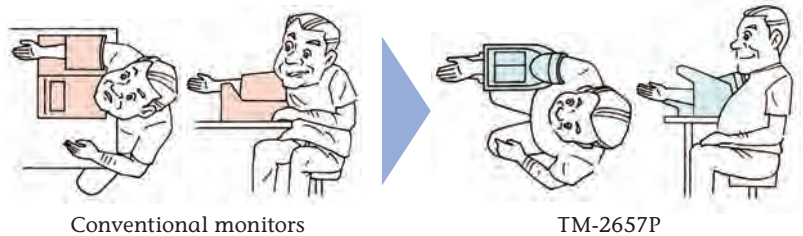
### Pick an arm, any arm

Dual design allows the users to measure with either arm.



### Ease of use removes measurement strain

The slim upright design of TM-2657P enables the ideal arm position to make precise blood pressure measurements.



### Barrier-free design

It is convenient for pregnant women, patients with back problems and patients in wheelchairs.



### Small footprint

Slim design allows the users to put it against a wall or on a desk/counter top without taking up too much space.

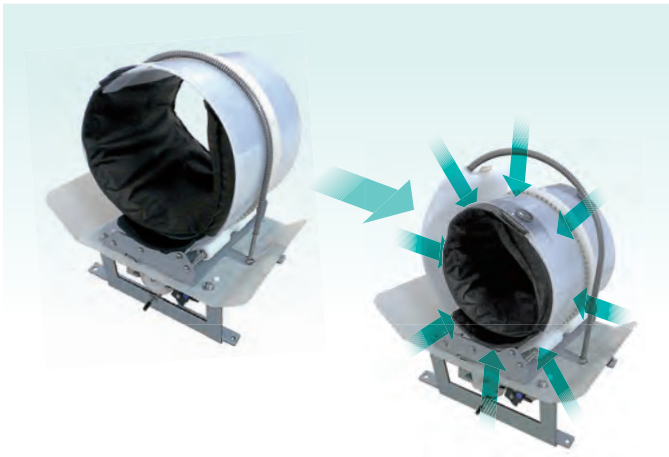


### One button operation

START / STOP button located in the middle of the unit allows simple measurement with either hand.



## "Torque Controlled Belt drive Method" (TCBM) adopted in our cuff fastening method



Accurate and reliable oscillometric measurement of blood pressure on the upper arm relies on correct cuff/bladder dimensions and pressure applied.

The A&D Torque Controlled Belt drive Method (TCBM) holds the upper arm perfectly with the essential personalized cuff circumference, the same measurement preparation carried out by clinical nurses.

This optimum ergonomic design enables the users to measure their blood pressure with accuracy, ease, safety, high speed and comfort.

### Antibacterial arm cuff cover (included as standard)

Newly developed antibacterial arm cuff cover has been introduced to the TM-2657P in response to advice from medical experts.

It is possible for users to measure blood pressure in a clean environment.



### Optional extension communication board (RS-232C, Bluetooth)

- TM-2657-01-EX with MiniDIN 8pin and D-Sub 9pin
- TM-2657-03-EX with D-Sub 9pin
- TM-2657-05-EX with D-Sub 9pin and Bluetooth

The user can take control of the data and automate the operation. It can connect to PC, card readers, barcode readers, etc..

The user can also connect TM-2657P with other Bluetooth enabled devices when using TM-2657-05-EX.

(Please consult with A&D's dealers about the compatibility.)



## Printer

### Reliable thermal printer with open head design

This allows easy paper roll replacement and also helps to avoid possible paper jams.



### Various print-out formats

TM-2657P provides the users with print-outs (original mark, pictures, messages, etc.) with your ad, pharmacy name, etc..

A large print area is reserved for the advertisement. The printout can also include measurement information from other devices including some personal scales.

(Please consult with A&D's dealers about the compatibility.)

#### Bitmap

|                               |                     |       |
|-------------------------------|---------------------|-------|
| Name                          | 17 Oct., 2015 22:18 |       |
| SYS                           | 130                 | mmHg  |
| DIA                           | 96                  | mmHg  |
| PUL                           | 71                  | /min. |
| <b>A&amp;D</b><br>A&D Medical |                     |       |

#### Barcode

|                      |                       |       |
|----------------------|-----------------------|-------|
| ID: 0123456789ABCDEF |                       |       |
| Name                 | 31 Oct., 2014 PM 5:15 |       |
| SYS                  | 129                   | mmHg  |
| DIA                  | 75                    | mmHg  |
| PUL                  | 64                    | /min. |
| 129090075064         |                       |       |

#### QR code

|                      |                       |       |
|----------------------|-----------------------|-------|
| ID: 0123456789ABCDEF |                       |       |
| Name                 | 31 Oct., 2014 PM 5:16 |       |
| SYS                  | 121                   | mmHg  |
| DIA                  | 77                    | mmHg  |
| PUL                  | 58                    | /min. |
| QR Code              |                       |       |

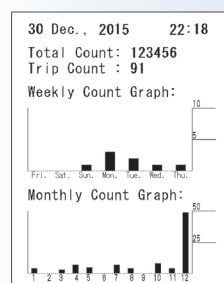
### Other printing examples

|      |                     |       |
|------|---------------------|-------|
| Name | 17 Oct., 2015 22:18 |       |
| SYS  | 130                 | mmHg  |
| DIA  | 96                  | mmHg  |
| PUL  | 71                  | /min. |

#### “IHB” (Irregular Heart Beat)

The symbol for “IHB” is printed when a very slight vibration such as shivering or shaking is detected.

(Note: This is for warning purpose only. A&D recommends contacting a physician if you see this symbol (♥) frequently.)



### Counting function

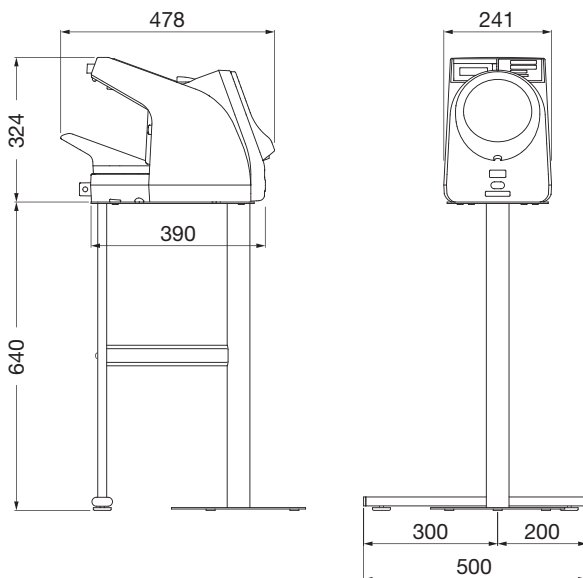
The counting function is designed to check the usage frequency (the number of blood pressure measurements) and provide a reference for scheduled cleaning. The monitor can also display the same data on the LCD panel.



## Specifications

|                                     |   |
|-------------------------------------|---|
| Model name                          | TM-2657P  |
| Measurement method                  | Oscillometric   |
| AC power supply unit                | Switching 100-240V AC 50-60Hz   |
| Protection against electrical shock | Class I, Type B   |
| Pressure display range              | 0-299 mmHg  |
| NIBP measurement range              | SYS 40-270 mmHg, DIA 20-200 mmHg, Pulse 30-240 bpm  |
| Measurement accuracy                | Pressure: $\pm 3$ mmHg Pulse: $\pm 5\%$   |
| NIBP clinical test                  | BS EN1060-4:2004, BHS:1993, $\pm 5$ mmHg SD:8mmHg   |
| Cuff fastening method               | Torque Controlled Belt drive Method (TCBM)  |
| External dimensions                 | 241(W)x324(H)x390(D)mm (9.5(W)x13.0(H)x15.4(D))inches   |
| Weight                              | Approx. 5.5 kg (12.1lb)   |
| Applicable arm circumference        | 7inches(18.0cm) to 13.8inches (35.0cm)  |
| Cuff size                           | 125x300mm (4.9x11.8inches)  |
| Display type                        | 3-digit display by LED  |
| Systolic (SYS)                      |   |
| Diastolic(DIA)                      |   |
| Pulse rate(PUL)                     |   |
| Counting function                   | Display of number of measurements to date: up to 999,999 times                                    |
| Applied pressure                    | Automatic inflation by air pump   |
| Pressure detection method           | Capacitance type pressure transducer  |
| Operating conditions                | Temperature: 10-40 °C humidity: 30-85% RH, no condensing  |
| Transport/Storage conditions        | Temperature: -20-60 °C humidity: 10-95% RH, no condensing   |
| Safety device (Electrical)          | Quick release when START/STOP button is pressed<br>Quick release when FAST STOP button is pressed |
| Clock function                      | Clock Display, Date & Time (2015 ~ 2050)  |

## Dimensions (mm)



## Options & Accessories



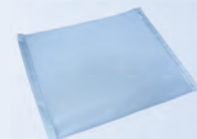
**Dedicated stand**  
REF: TM-ST520  
(The previous model, TM9325 can also be used for TM-2657P.)



**Adjustable height stool**  
REF: TM-STA001



**Printer paper (5 rolls/set)**  
REF: AX-PP147-S



**Antibacterial arm cuff cover (5 pieces/set)**  
REF: AX-134005759-S



**Carrying case**  
REF: TM2657-10



**Foot switch**  
REF: AX-SW135



**RS-232C cable**  
REF: AX-KO1371-200



**External input/output unit RS 2ch**  
REF: TM-2657-01-EX



**External input/output unit RS 1ch**  
REF: TM-2657-03-EX



**External input/output unit RS+Bluetooth**  
REF: TM-2657-05-EX