

**seca 220**



Medguard Healthcare

Tel: +353 (01) 835 24 11    Email: [service@medguard.ie](mailto:service@medguard.ie)

Fax: +353 (01) 8352 24 61    Web: [www.medguard.ie](http://www.medguard.ie)

## Congratulations!

In the **seca 220** measuring rod, you have acquired an accurate and at the same time sturdy rod for measuring the height of children and adults.

It is manufactured from stable, easy-care aluminium profile. The measuring slide is made of plastic and can be folded.

The **seca 220** measuring rod is for measuring height and thus for assessing the state of health of patients and for detecting and monitoring pathological nutritional or other physiological disorders.

It is attached to the column of seca column scales using the assembly material supplied.

In combination with a scale, therefore, the measuring rod serves as a complete measuring and weighing station.

The **seca 220** measuring rod is used with a seca column scale primarily in hospitals, general practice and measuring and nursing facilities on wards.

## Safety

Before using the new measuring rod, please take a little time to read the following safety instructions:

- Follow the operating instructions.
- Attach the measuring rod only to seca column scales.
- Use the assembly material supplied.

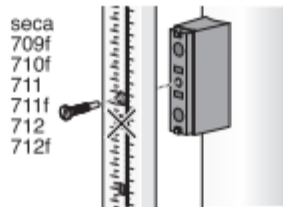
- When assembling, ensure that screws are tight and that the rod has been assembled correctly (see chapter entitled "Assembly instructions").
- Fold down the measuring slide after height has been measured to avoid the risk of injury.

## Assembly instructions

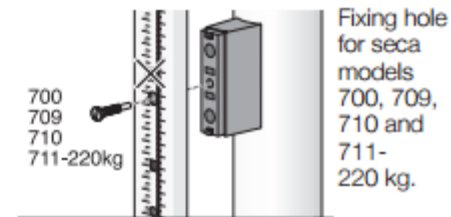
1. Screw the spacer to the rear (on models 700/711/712: **front**) of the column using two screws.



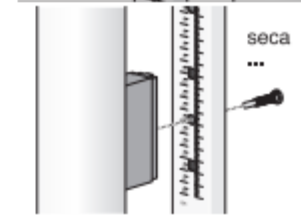
2. Screw the measuring rod to the spacer. The measuring slide and the scale point **away from the weighing platform** on seca models 709, 710, 709f and 710f and **towards the weighing platform** on all other models.



Fixing hole for seca models 711, 712, 709f, 710f, 711f + 712f.



Fixing hole for seca models 700, 709, 710 and 711-220 kg.

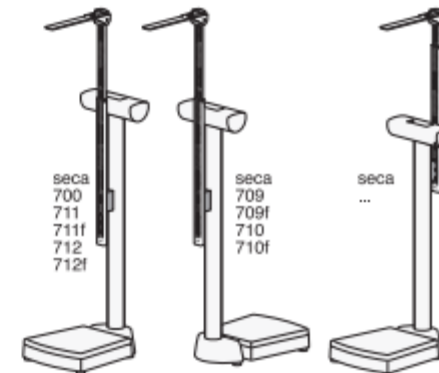


Measuring rod at front

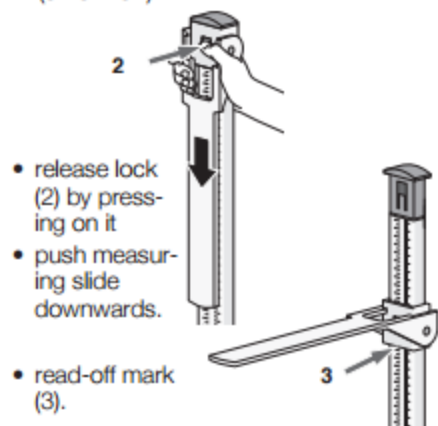


Measuring rod at rear

Fixing hole right at the bottom for all other seca models.



for measuring below 130.5 cm  
(51.3 inch):



- release lock (2) by pressing on it
- push measuring slide downwards.
- read-off mark (3).

3. The person to be measured positions him or herself under the measuring slide. The back and head must be straight.
4. The measuring slide is pushed onto the head to that the measuring slide abuts without bending.
5. Read off body height at the read-off mark. If the above-mentioned instructions are followed, accuracy greater than  $\pm 5$  mm can be achieved.

## Cleaning

Clean the measuring rod as required using a domestic cleaning agent or commercially-available disinfectant. Follow the manufacturer's instructions.

## Technical data

Measurement range:	60-200 cm / 24-78 inch
Graduations:	1mm /1/8 inch
Accuracy	greater than $\pm 5$ mm
Dimensions (W x H x D):	55 x 784 x 34 mm
Weight:	ca.700 g
Temperature range:	+10 °C up to +40 °C
Medical product in accordance with Directive 93/42/EEC:	Class I with measuring function

## Disposal

Should the measuring rod no longer be able to be used, the responsible waste disposal association will be glad to give you information about the measures necessary to dispose of it properly.

## Warranty

A two-year warranty from date of delivery applies to defects attributable to poor materials or workmanship. All moveable parts - batteries, cables, mains units, rechargeable batteries etc. - are excluded. Defects which come under warranty will be made good for the customer at no charge on production of the receipt. No further claims can be entertained. The costs of transport in both directions will be borne by the customer should the equipment be located anywhere other than the customer's premises. In the event of transport damage, claims under warranty can be honoured only if the complete original packaging was used for any transport and the merchandise secured and attached in that packaging just as it was when originally packed. All the packaging should therefore be retained. A claim under warranty will not be honoured if the equipment is opened by persons not expressly authorised by seca to do so. We would ask our customers abroad to contact their local sales agent in the event of a warranty matter.

Medguard Healthcare

Tel: +353 (01) 835 24 11 Email: [service@medguard.ie](mailto:service@medguard.ie)

Fax: +353 (01) 8352 24 61 Web: [www.medguard.ie](http://www.medguard.ie)